

aptis

**Pricelist** with effect from

**01st March 2024**

**:hager**



---

**The reliable  
partner for  
intelligent  
solutions.**

# Our vision

Hager Group's vision is to make life on our planet safer, cleaner and more enjoyable through ingenious, sustainable and reliable electrical infrastructure solutions, for all kinds of buildings.

## Our world today and tomorrow

We're constantly reimagining electricity in order to meet the world's rising energy demands with better performing and less consuming products and solutions. We're also moving at pace with technology as electricity usage becomes 'smarter' in homes and buildings and yet one thing endures in all this fast-moving change, we will always produce and supply for you safe and simple solutions and products. It's what we have been doing for over 65 years.

## Big enough to matter, small enough to care

As a global player, we play in every domain of the electrical infrastructure world; energy distribution, energy management, e-mobility, cable management, wiring accessories, connected and automated homes. We have you covered and our products and solutions are almost always customisable should you desire. We've built a reputation for high quality, scalable and dependable European-made products that are tested, trusted and ready for all types of buildings large and small, so you and your customers can rest assured your installations will endure over the long term.

## Generational approach

As a family-owned business that prides itself on being easy to work with, finding solutions in the spirit of collaboration, cooperation and co-creation is how we enjoy working on a daily basis, it's how we feel business is done best and how end results are best achieved together. Because we're driven by an entrepreneurial flair in a world where people like you matter to us, so much so that we'll be by your side right through your projects and beyond. No matter what, Hager will go the extra mile for you to meet your requirements.

## Looking ahead

We are investing on a large scale to ensure you will always get the best from us with huge investments in production capacity and at distribution sites but also developing new and exciting products in our new research and development centres to meet the joint challenges of energy consumption and the environment. As much as the world changes we'll never change our approach to you, our customers, we'll always be with our customary support and learning platforms continuously available for you, with you.

# hagergroup

Hager Group is a leading provider of solutions and services for electrical installations in residential, commercial and industrial buildings with 12,900 employees generating € 2.8Bn in sales (2022). Components and solutions are produced at 20 locations around the globe and are distributed to customers in more than 100 countries.

## Members of Hager Group

**:hager**

**B.**  
Berker

**ELCOM.**

ENERGY STORAGE  
**E3A DC**

**B BOCCHIOTTI**

**B IBOCO**

# On our journey to a sustainable future

At Hager Group, we shape the electric world of tomorrow, a world in which long-term success goes hand in hand with sustainability.

For us, sustainability encompasses Ethics, Employees and the Environment. We call our approach E3. This embraces an ethical approach to business, an inclusive and healthy work environment and reliable products and ingenious solutions which are future-proof. With a strong focus on the environment, we're on the way to making our company a low-carbon operation. We want to take our employees, partners and customers with us on this journey. Let's make better choices together. For our planet and for all generations.

## Ethics

We put a strong emphasis on a responsible approach towards business. This approach considers our own employees as well as every person involved in our value chain: from suppliers and their employees, to partners and customers. As we produce electrical equipment and solutions, consumer safety is one of our main concerns, as well as business and data integrity. We are committed to complying with all national and international industry standards and in many instances go above and beyond what is required. Since 2007, we are signatories of the United Nations' Global Compact.



# Employees



Recruiting and retaining talent is one of the great challenges of businesses today. For us, a sustainable business is only possible if we can attract the right people who feel welcome and able to fulfil their potential at Hager Group. We see our company as a cross-generational endeavour, much like a family. With life-long learning opportunities and opportunities to build a meaningful career we're offering our employees the ideal basis from which to fully engage in a long-term and fruitful mutual relationship with our company. It goes without saying that diversity and inclusion and equal opportunities are part and parcel of our recruitment policies.

# Environment

We are committed to reducing waste and emissions considerably by investing in an environmentally friendly design, the longevity and quality of our products and more sustainable solutions in production and distribution. We perform full life cycle analysis of all our products in the form of a Product Environmental Profile (PEP). At production level, we are continuously looking for ways to reduce our resources consumption. Currently, 18 of our production facility locations and 4 of our distribution centres are certified to the international environmental management standard ISO 14001, which defines globally recognised requirements for environmental management.



Sustainability certifications for Hager Group:



Member of:



United Nations Global Compact

# Building the electrical world of tomorrow together





## Let's accelerate our energy transition towards more renewables, electric mobility and energy management.



**Sabine Busse**  
Hager Group CEO

### **Dear customers, partners and friends of Hager Group**

We are living through a time of change. The new geopolitical and market environment makes us realise even more how precious our resources are and how important energy is to our way of life.

The recent developments call upon us to further accelerate our energy transition. More renewables, more electric mobility, more energy management. More than ever, we understand what “the future will be electric” really means. This necessary change is a possibility for our industry as a whole.

Energy scarcity makes us appreciate energy efficiency and management in a new way. Our industry plays an essential part in providing the products and solutions to master these challenges. We sit at the heart of shaping the electrical world of tomorrow, a world in which long-term success goes hand in hand with sustainable practices. The current challenges make us all the more determined to ignite this change ourselves - together with our partners and customers.

There is a special strength in pulling together, in finding common ground, in talking to each other and understanding what the other party needs most and how we can support each other. Together, we form a strong network, able to master the challenges ahead of us now and in the future. Of this I am convinced.

I remain optimistic. The challenges are immense. But I don't know of any other industry for which this era of change is such a great opportunity. We have it in our hands to prove ourselves and to build a great future for our industry.

Yours sincerely,  
Sabine Busse



---

**01 Distribution Boards**

aptis range



13-14

---

**02 Protection devices**

aptis MCBs / aptis RCCBs / aptis RCBOs / Over Voltage Protection



15-18

---

**03 Control & signaling**

Changeover Switches / Isolating Switches / Indicating Lights (LED) / Automatic Changeover and Current Limiter



18-19

---

**04 Protection devices**

MCCBs



20-22

---

**05 Energy & lighting control**

Time Switches / Movement and Presence Detectors



23

---

**06 insysta™ Wiring accessories**

Switches / Push button / Sockets / Regulators &amp; dimmers / Data sockets / VDI module &amp; accessories / USB socket / DND / MMR / Hotel card unit / Shaver socket / Skirting light / Buzzer / Volume controller / Cover &amp; grid plates - Plastic / Cover plates - Real material / Grid plates - Real material / Wall Boxes



24-27

---

**07 Technical information**

28-33

# aptis range

A range with required features and functionality for safe electrical installations.

Built and launched around the concept of 3A's.

01

## Acceptability

The range is packed with feature & benefits. It offers the best functional advantages, while complying to all mandatory standards.

02

## Availability

Available through out the country through our wide network of retailers.

03

## Affordability

Now experience world class offer to suit your budget.



Distribution boards



MCBs



RCCBs



RCBOs

**SPN distribution boards**

**Characteristics:**

- Single Door
- Double Door

**Standard Accessories:**

- Wires sets
- Insulated busbars
- Insulated neutral bars & earth bar
- Circuit identification labels

**Single Door DBs**

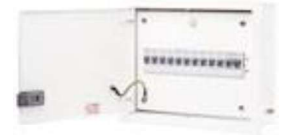
Description	Pack Qty.	Unit MRP (₹)	Cat. Ref.
4 way, 4 modules	1	927	▶ <b>Y81041</b>
6 way, 6 modules	1	1071	▶ <b>Y81061</b>
8 way, 8 modules	1	1298	▶ <b>Y81081</b>
12 way, 12 modules	1	1535	▶ <b>Y81121</b>
16 way, 16 modules	1	1906	▶ <b>Y81161</b>



Y81081

**Double Door DBs**

Description	Pack Qty.	Unit MRP (₹)	Cat. Ref.
4 way, 4 modules	1	1478	▶ <b>Y81042</b>
6 way, 6 modules	1	1638	▶ <b>Y81062</b>
8 way, 8 modules	1	1839	▶ <b>Y81082</b>
12 way, 12 modules	1	2189	▶ <b>Y81122</b>
16 way, 16 modules	1	2766	▶ <b>Y81162</b>



Y81122

**TPN distribution boards**

**Characteristics:**

- Single Door
- Double Door
- 8 module Incomer & SP MCBs as outgoing

**Standard Accessories:**

- Wires sets
- Insulated busbars
- Insulated neutral bars & earth bar
- Circuit identification labels

**Single Door DBs**

(Incomer + Outgoing Modules)

Description	Pack Qty.	Unit MRP (₹)	Cat. Ref.
4 way, 8+12 modules	1	2910	<b>Y82041</b>
6 way, 8+18 modules	1	3605	<b>Y82061</b>
8 way, 8+24 modules	1	4233	<b>Y82081</b>
12 way, 8+36 modules	1	6211	<b>Y82121</b>



Y82041

**Double Door DBs**

(Incomer + Outgoing Modules)

Description	Pack Qty.	Unit MRP (₹)	Cat. Ref.
4 way, 4+12 modules	1	3641	▶ <b>Y82043</b>
4 way, 8+12 modules	1	3760	▶ <b>Y82042</b>
6 way, 8+18 modules	1	4527	▶ <b>Y82062</b>
8 way, 8+24 modules	1	5526	▶ <b>Y82082</b>
12 way, 8+36 modules	1	8168	▶ <b>Y82122</b>



Y82062

**One way enclosures**

**Characteristics:**

- IP30 degree of protection



Y83041

Description	Pack Qty.	Unit MRP (₹)	Cat. Ref.
2 way, 2 modules	1	541	▶ <b>Y83021</b>
4 way, 4 modules	1	571	▶ <b>Y83041</b>
20A 2 Pin + SC*, 2 modules	1	1694	<b>Y84220</b>
20A 3 Pin + SC*, 4 modules	1	2930	<b>Y84420</b>
32A 3 Pin + SC*, 4 modules	1	3404	<b>Y84432</b>

\* SC - Scraping Earth

**Plug & Socket outlets-metal**

**Characteristics:**

- Supplied with metal plug & socket, provision to mount MCBs



Y84220

Description	Pack Qty.	Unit MRP (₹)	Cat. Ref.
10A 2 Pin + SC*, 1 modules	1	1463	<b>Y84110</b>
20A 2 Pin + SC*, 1 modules	1	1540	<b>Y84120</b>

\* SC - Scraping Earth

**Phase Selector DB**

**Characteristics:**

- Double Door
- As per IS 8623 - III
- 40A & 63A rotary switches

- Accessories:
  - Wires sets
  - Insulated Bus bars
  - Neutral bars & earth bar



Y85062

Description	Pack Qty.	Unit MRP (₹)	Cat. Ref.
4 Way, 8+12 Modules	1	10439	<b>Y85042</b>
6 Way, 8+18 Modules	1	11129	<b>Y85062</b>
4 Way, 8+12 Modules	1	12082	<b>Y85041</b>
6 Way, 8+18 Modules	1	12365	<b>Y85061</b>
8 Way, 8+24 Modules	1	13112	<b>Y85081</b>
12 Way, 8+36 Modules	1	14724	<b>Y85121</b>

### Characteristics:

- Standard: IS / IEC 60898, IEC 60898
- Rated Current: 6 – 63A
- Poles: 1P, 2P, 3P, 4P
- Rated Operating Voltage: 240 / 415V
- Frequency: 50Hz
- Tripping Characteristics: C Curve
- Breaking Capacity: 6000A
- Electrical Endurance: 10000 Operations
- ISI marked
- Terminals: IP2X Terminal
- Capacity: 25sq mm rigid, 16sq mm flexible

### Single Pole

Description	Pack Qty.	Unit MRP (₹)	Cat. Ref.
1P 6A C Curve 6kA	12	247	▶ Y1106
1P 10A C Curve 6kA	12	247	▶ Y11101
1P 16A C Curve 6kA	12	247	▶ Y11161
1P 20A C Curve 6kA	12	247	▶ Y11201
1P 25A C Curve 6kA	12	247	▶ Y1125
1P 32A C Curve 6kA	12	247	▶ Y1132
1P 40A C Curve 6kA	12	536	▶ Y1140
1P 50A C Curve 6kA	12	613	▶ Y1150
1P 63A C Curve 6kA	12	613	▶ Y1163



Y11010

### Double Pole

Description	Pack Qty.	Unit MRP (₹)	Cat. Ref.
2P 6A C Curve 6kA	6	814	▶ Y1206
2P 10A C Curve 6kA	6	814	▶ Y1210
2P 16A C Curve 6kA	6	814	▶ Y12161
2P 20A C Curve 6kA	6	814	▶ Y1220
2P 25A C Curve 6kA	6	814	▶ Y1225
2P 32A C Curve 6kA	6	814	▶ Y1232
2P 40A C Curve 6kA	6	1235	▶ Y1240
2P 50A C Curve 6kA	6	1367	▶ Y1250
2P 63A C Curve 6kA	6	1367	▶ Y1263



Y1210

### Triple Pole

Description	Pack Qty.	Unit MRP (₹)	Cat. Ref.
3P 6A C Curve 6kA	4	1336	▶ Y1306
3P 10A C Curve 6kA	4	1336	▶ Y13101
3P 16A C Curve 6kA	4	1336	▶ Y13161
3P 20A C Curve 6kA	4	1336	▶ Y1320
3P 25A C Curve 6kA	4	1336	▶ Y1325
3P 32A C Curve 6kA	4	1336	▶ Y1332
3P 40A C Curve 6kA	4	1930	▶ Y1340
3P 50A C Curve 6kA	4	2125	▶ Y1350
3P 63A C Curve 6kA	4	2125	▶ Y1363



Y1310

### Four Pole

Description	Pack Qty.	Unit MRP (₹)	Cat. Ref.
4P 6A C Curve 6kA	3	1740	▶ Y1406
4P 10A C Curve 6kA	3	1740	▶ Y14101
4P 16A C Curve 6kA	3	1740	▶ Y14161
4P 20A C Curve 6kA	3	1740	▶ Y1420
4P 25A C Curve 6kA	3	1740	▶ Y1425
4P 32A C Curve 6kA	3	1740	▶ Y1432
4P 40A C Curve 6kA	3	2439	▶ Y1440
4P 50A C Curve 6kA	3	2664	▶ Y1450
4P 63A C Curve 6kA	3	2664	▶ Y1463



Y1410

**Characteristics:**

- Standard: IS / IEC 60898, IEC 60898
- Rated Current: 6 – 63A
- Poles: 1P, 2P, 3P, 4P
- Rated Operating Voltage: 240 / 415V
- Frequency: 50Hz
- Tripping Characteristics: B Curve
- Breaking Capacity: 10000A
- Electrical Endurance: 10000 Operations
- ISI marked
- Terminals: IP2X Terminal
- Capacity: 25sq mm rigid, 16sq mm flexible

**Single Pole**



Y7110

Description	Pack Qty.	Unit MRP (₹)	Cat. Ref.
1P 6A 10kA	12		Y7106
1P 10A 10kA	12		Y7110
1P 16A 10kA	12		Y7116
1P 20A 10kA	12	* price on request	Y7120
1P 25A 10kA	12		Y7125
1P 32A 10kA	12		Y7132
1P 40A 10kA	12		Y7140
1P 63A 10kA	12		Y7163

**Double Pole**



Y7220

Description	Pack Qty.	Unit MRP (₹)	Cat. Ref.
2P 6A 10kA	6		Y7206
2P 10A 10kA	6		Y7210
2P 16A 10kA	6		Y7216
2P 20A 10kA	6	* price on request	Y7220
2P 25A 10kA	6		Y7225
2P 32A 10kA	6		Y7232
2P 40A 10kA	6		Y7240
2P 63A 10kA	6		Y7263

**Triple Pole**



Y7325

Description	Pack Qty.	Unit MRP (₹)	Cat. Ref.
3P 6A 10kA	4		Y7306
3P 10A 10kA	4		Y7310
3P 16A 10kA	4		Y7316
3P 20A 10kA	4	* price on request	Y7320
3P 25A 10kA	4		Y7325
3P 32A 10kA	4		Y7332
3P 40A 10kA	4		Y7340
3P 63A 10kA	4		Y7363

**Four Pole**



Y7410

Description	Pack Qty.	Unit MRP (₹)	Cat. Ref.
4P 6A 10kA	3		Y7406
4P 10A 10kA	3		Y7410
4P 16A 10kA	3		Y7416
4P 20A 10kA	3	* price on request	Y7420
4P 25A 10kA	3		Y7425
4P 32A 10kA	3		Y7432
4P 40A 10kA	3		Y7440
4P 63A 10kA	3		Y7463



**aptis RCCBs**

**Characteristics:**

- Standard: IS 12640-I, IEC 61008
- Rated Current: 25, 40, 63A
- Rated Voltage: 230 / 415VAC
- Poles: 2P, 4P
- Sensitivity: 30, 100, 300mA

- RCCB type: AC
- Rated Residual Making & Breaking capacity: 1500A
- ISI marked
- Terminals: IP2X
- Terminal Capacity: 25sq mm rigid, 16sq.mm flexible

**Double Pole**

Description	Pack Qty.	Unit MRP (₹)	Cat. Ref.
2P 25A 30mA	1	3289	▶ Y5232
2P 25A 100mA	1	3663	▶ Y5242
2P 25A 300mA	1	3689	▶ Y5252
2P 40A 30mA	1	3855	▶ Y5234
2P 40A 100mA	1	4010	▶ Y5244
2P 40A 300mA	1	4336	▶ Y5254
2P 63A 30mA	1	4998	▶ Y5236
2P 63A 100mA	1	5036	▶ Y5246
2P 63A 300mA	1	5116	▶ Y5256



Y5232

**Four Pole**

Description	Pack Qty.	Unit MRP (₹)	Cat. Ref.
4P 25A 30mA	1	4687	▶ Y5432
4P 25A 100mA	1	4872	▶ Y5442
4P 25A 300mA	1	4939	▶ Y5452
4P 40A 30mA	1	4453	▶ Y5434
4P 40A 100mA	1	4590	▶ Y5444
4P 40A 300mA	1	4673	▶ Y5454
4P 63A 30mA	1	5136	▶ Y5436
4P 63A 100mA	1	5389	▶ Y5446
4P 63A 300mA	1	5408	▶ Y5456



Y5432

**aptis RCBOs**

**Characteristics:**

- Standard: IEC 61009
- Rated Current: 16 - 63A
- Sensitivity : 30, 100 & 300 mA
- Poles: 2 pole and 4 pole
- Rated Operating Voltage: 240 / 415V
- Frequency: 50Hz
- Tripping Characteristics: C Curve
- Type AC

- Breaking Capacity: 10kA
- Earth fault indication
- Type AC
- Breaking Capacity: 10kA
- Earth fault indication
- Positive contact indication
- Terminals: IP2X Terminal
- Capacity: 25sq mm rigid, 16sq mm flexible
- ISI marked

Description	Sensitivity	Pack Qty.	Unit MRP (₹)	Cat. Ref.
16A, 2P 4 modules	30 mA	1	3642	YA2316
25A, 2P 4 modules	30 mA	1	3642	YA2325
32A, 2P 4 modules	30 mA	1	3980	YA2332
40A, 2P 4 modules	30 mA	1	4731	YA2340
63A, 2P 4 modules	30 mA	1	5666	YA2363
16A, 2P 4 modules	100 mA	1	4553	YA2416
25A, 2P 4 modules	100 mA	1	4464	YA2425
32A, 2P 4 modules	100 mA	1	4553	YA2432
40A, 2P 4 modules	100 mA	1	5237	YA2440
63A, 2P 4 modules	100 mA	1	6058	YA2463
16A, 4P 6 modules	30 mA	1	5129	YA4316
25A, 4P 6 modules	30 mA	1	5129	YA4325
32A, 4P 7 modules	30 mA	1	5290	YA4332
40A, 4P 7 modules	30 mA	1	5368	YA4340
63A, 4P 7 modules	30 mA	1	6356	YA4363
16A, 4P 6 modules	100 mA	1	5779	YA4416
25A, 4P 6 modules	100 mA	1	5535	YA4425
32A, 4P 7 modules	100 mA	1	5594	YA4432
40A, 4P 7 modules	100 mA	1	5761	YA4440
63A, 4P 7 modules	100 mA	1	6541	YA4463
16A, 2P 4 modules	300 mA	1	4703	YA2516
25A, 2P 4 modules	300 mA	1	4703	YA2525
32A, 2P 4 modules	300 mA	1	4703	YA2532
40A, 2P 4 modules	300 mA	1	5392	YA2540
63A, 2P 4 modules	300 mA	1	6172	YA2563
16A, 4P 6 modules	300 mA	1	5962	YA4516
25A, 4P 6 modules	300 mA	1	5749	YA4525
32A, 4P 7 modules	300 mA	1	5749	YA4532
40A, 4P 7 modules	300 mA	1	5868	YA4540
63A, 4P 7 modules	300 mA	1	6654	YA4563



YA2463

**Over voltage protection**



MZ216

Description	Pack Qty.	Unit MRP (₹)	Cat. Ref.
Over voltage release 230VAC, U <sub>c</sub> > 280V, 1 module	1	4427	<a href="#">MZ209</a>
Over voltage + Low voltage release 230VAC, U <sub>c</sub> > 280V, 1 module 60VAC < U < 170VAC, U > 267VAC	1	5946	<a href="#">MZ215</a>
Over voltage release 230V AC, U > 275 V AC, 3 phase in 1 module Suitable for 3Ph+N	1	7982	<a href="#">MZ216</a>

\*Single phase connections need one MZ209/ MZ215 and three phase connections need three MZ209/ MZ215

**2 way centre off changeover switches**



SFT240N

**Characteristics:**

- Standard : IEC 60947-1
- Ratings : 25A, 40A & 63A
- No. of Poles : 2P & 4P

- 3 Positions (I-0-II) with centre off
- Utilization category – AC21A
- Mounting on 35mm DIN channel

**Double Pole**

Description	Pack Qty.	Unit MRP (₹)	Cat. Ref.
25A, 2 modules	1	3065	<a href="#">SFT225N</a>
40A, 2 modules	1	4669	<a href="#">SFT240N</a>
63A, 4 modules	1	4954	<a href="#">SF263</a>

**Four Pole**

Description	Pack Qty.	Unit MRP (₹)	Cat. Ref.
40A, 4 modules	1	7521	<a href="#">SFT440N</a>
63A, 8 modules	1	8265	<a href="#">SF463</a>

**Isolating switches**



Y6463

**Characteristics:**

- Conforms to IEC 60947-III

- AC22A devices used as switch disconnectors in electrical circuit

**Double Pole**

Description	Pack Qty.	Unit MRP (₹)	Cat. Ref.
40A, 2 modules	6	535	<a href="#">Y6240</a>
63A, 2 modules	6	688	<a href="#">Y6263</a>

**Triple Pole**

Description	Pack Qty.	Unit MRP (₹)	Cat. Ref.
40A, 3 modules	4	925	<a href="#">Y6340</a>
63A, 3 modules	4	1066	<a href="#">Y6363</a>

**Four Pole**

Description	Pack Qty.	Unit MRP (₹)	Cat. Ref.
40A, 4 modules	3	1200	<a href="#">Y6440</a>
63A, 4 modules	3	1268	<a href="#">Y6463</a>

**Indicating Lights (LED)**



SVN126

**Characteristics:**

- Standard : IEC 62094-1
- Light : LED type
- Life : 100,000 burning hours

- Modular design, Fits on 35mm DIN Channel
- Triple Indicators for RYB & ON-OFF-TRIP (RGO) in single module

Description	Pack Qty.	Unit MRP (₹)	Cat. Ref.
Green, 1 module	12	1058	<a href="#">SVN121</a>
Red, 1 module	12	1058	<a href="#">SVN122</a>
Orange, 1 module	12	1058	<a href="#">SVN123</a>
Blue, 1 module	12	1058	<a href="#">SVN124</a>
Red+Green indicator, 1 module	12	1365	<a href="#">SVN126</a>
Red+Green+Orange indicator, 1 module	12	1502	<a href="#">SVN129</a>
Red+Orange+Blue (RYB) indicator, 1 module	12	1977	<a href="#">SVN222</a>

## SPN - Automatic changeover and current limiter

### Characteristics:

- IEC 60947 - 3, IEC 60947 - 6
- SPN Modular
- Voltage: 150VAC to 300VAC
- 6000 Operations
- Blinking LED for overload and permanent
- LED for overload Trip
- Different LED colors for clear differentiation between functions

Description	Pack Qty.	Unit MRP (₹)	Cat. Ref.
Mains 30A, Genset 1.5A	1	2556	▶ <b>EKS301B</b>
Mains 30A, Genset 2.5A	1	2556	▶ <b>EKS302B</b>
Mains 30A, Genset 3A	1	2556	▶ <b>EKS303B</b>
Mains 30A, Genset 4A	1	2556	<b>EKS304B</b>
Mains 30A, Genset 5A	1	2556	▶ <b>EKS305B</b>
Mains 30A, Genset 6A	1	2556	▶ <b>EKS306B</b>
Mains 30A, Genset 9A	1	2556	▶ <b>EKS309B</b>
Mains 30A, Genset 12A	1	2556	<b>EKS312B</b>
Mains 30A, Genset 15A	1	2556	<b>EKS315B</b>
Mains 30A, Genset 20A	1	2556	▶ <b>EKS320B</b>
Mains 30A, Genset 30A (without current limiting)	1	2556	▶ <b>EKS330B</b>



EKS301B

## TPN - Automatic Changeover and Current Limiter

### Characteristics:

- IEC 60947 - 6
- TPN / TPN & TPN / SPN
- Voltage: 150VAC to 300VAC
- 10000 Operations
- Genset Start / Stop as standard

### TPN / SPN

Description	Pack Qty.	Unit MRP (₹)	Cat. Ref.
Mains 40A, Genset 6A	1	13186	<b>EKT406SG</b>
Mains 40A, Genset 10A	1	13186	<b>EKT410SG</b>
Mains 40A, Genset 16A	1	13186	<b>EKT416SG</b>
Mains 40A, Genset 20A	1	13186	<b>EKT420SG</b>
Mains 40A, Genset 25A	1	13186	<b>EKT425SG</b>
Mains 40A, Genset 30A	1	13186	<b>EKT430SG</b>
Mains 63A, Genset 6A	1	19462	<b>EKT606SG</b>
Mains 63A, Genset 10A	1	19462	<b>EKT610SG</b>
Mains 63A, Genset 16A	1	19462	<b>EKT616SG</b>
Mains 63A, Genset 20A	1	19462	<b>EKT620SG</b>
Mains 63A, Genset 25A	1	19462	<b>EKT625SG</b>
Mains 63A, Genset 30A	1	19462	<b>EKT630SG</b>
Mains 63A, Genset 40A	1	19462	<b>EKT640SG</b>



EKT406SG

### TPN / TPN

Description	Pack Qty.	Unit MRP (₹)	Cat. Ref.
Mains 40A, Genset 6A	1	13812	<b>EKT406TG</b>
Mains 40A, Genset 10A	1	13812	<b>EKT410TG</b>
Mains 40A, Genset 16A	1	13812	<b>EKT416TG</b>
Mains 40A, Genset 20A	1	13812	<b>EKT420TG</b>
Mains 40A, Genset 25A	1	13812	<b>EKT425TG</b>
Mains 40A, Genset 30A	1	13812	<b>EKT430TG</b>
Mains 63A, Genset 6A	1	20089	<b>EKT606TG</b>
Mains 63A, Genset 10A	1	20089	<b>EKT610TG</b>
Mains 63A, Genset 16A	1	20089	<b>EKT616TG</b>
Mains 63A, Genset 20A	1	20089	<b>EKT620TG</b>
Mains 63A, Genset 25A	1	20089	<b>EKT625TG</b>
Mains 63A, Genset 30A	1	20089	<b>EKT630TG</b>
Mains 63A, Genset 40A	1	20089	<b>EKT640TG</b>

### TPN / TPN

#### (without current limiting)

Description	Pack Qty.	Unit MRP (₹)	Cat. Ref.
Mains 40A, Genset 40A	1	13812	▶ <b>EKT440TG</b>
Mains 63A, Genset 63A	1	33263	▶ <b>EKT663TG</b>

\*80/80A and 100/100A ACCL also available upon request

# MCCBS

## Thermal Magnetic Release



### Characteristics:

- Complies with IEC 60947-2
- Poles: 3 pole and 4 poles
- Thermal Magnetic
- Calibrated at 50°C
- Frequency: 50Hz
- Current Limiting type (Cat A)
- Breaking Capacity: 18, 25, 40 kA
- Isolation marking
- Complete range of accessories
- International Certification and approvals

### X160 frame MCCB fixed overload, fixed short circuit breaking capacity Icu : 18kA



HDA125Z

Description	Pack Qty.	Unit MRP (₹)	Cat. Ref.
32A, 3 pole	1	6942	HDA032Z
40A, 3 pole	1	6942	HDA040Z
63A, 3 pole	1	6942	▶ HDA063Z
80A, 3 pole	1	6942	HDA080Z
100A, 3 pole	1	6942	▶ HDA100Z
125A, 3 pole	1	8595	▶▶ HDA125Z
160A, 3 pole	1	9277	▶▶ HDA160Z

Description	Pack Qty.	Unit MRP (₹)	Cat. Ref.
32A, 4 pole	1	7981	HDA033Z
40A, 4 pole	1	7981	HDA041Z
50A, 4 pole	1	7981	HDA051Z
63A, 4 pole	1	7981	▶ HDA064Z
80A, 4 pole	1	7981	HDA081Z
100A, 4 pole	1	7981	▶ HDA101Z
125A, 4 pole	1	9027	▶▶ HDA126Z
160A, 4 pole	1	9820	▶▶ HDA161Z

### X160 frame MCCB fixed overload, fixed short circuit breaking capacity Icu : 25kA



HHA125Z

Description	Pack Qty.	Unit MRP (₹)	Cat. Ref.
32A, 3 pole	1	8608	HHA032Z
40A, 3 pole	1	8608	HHA040Z
63A, 3 pole	1	8608	▶ HHA063Z
80A, 3 pole	1	8608	HHA080Z
100A, 3 pole	1	8608	▶ HHA100Z
125A, 3 pole	1	11612	▶▶ HHA125Z
160A, 3 pole	1	14483	▶▶ HHA160Z

Description	Pack Qty.	Unit MRP (₹)	Cat. Ref.
32A, 4 pole	1	11739	HHA033Z
40A, 4 pole	1	11739	HHA041Z
63A, 4 pole	1	11739	▶ HHA064Z
80A, 4 pole	1	11739	HHA081Z
100A, 4 pole	1	11739	▶ HHA101Z
125A, 4 pole	1	15012	▶▶ HHA126Z
160A, 4 pole	1	18214	▶▶ HHA161Z

**X160 frame MCCB**  
**overload adjustable 0.63-0.8-1 x In**  
**short circuit fixed**  
 breaking  
 capacity Icu :  
 18kA

Description	Pack Qty.	Unit MRP (₹)	Cat. Ref.
40A, 3 pole	1	7816	HDA040U
63A, 3 pole	1	7816	▶ HDA063U
80A, 3 pole	1	7816	HDA080U
100A, 3 pole	1	7816	▶ HDA100U
125A, 3 pole	1	9297	▶ HDA125U
160A, 3 pole	1	10770	▶ HDA160U

Description	Pack Qty.	Unit MRP (₹)	Cat. Ref.
40A, 4 pole	1	10231	HDA041U
63A, 4 pole	1	10231	▶ HDA064U
80A, 4 pole	1	10231	HDA081U
100A, 4 pole	1	10231	▶ HDA101U
125A, 4 pole	1	10848	▶ HDA126U
160A, 4 pole	1	12071	▶ HDA161U



HDA161U

**X160 frame MCCB**  
**overload adjustable 0.63-0.8-1 x In**  
**short circuit fixed**  
 breaking  
 capacity Icu :  
 25kA

Description	Pack Qty.	Unit MRP (₹)	Cat. Ref.
40A, 3 pole	1	9820	HHA040U
63A, 3 pole	1	9820	▶ HHA063U
80A, 3 pole	1	9820	HHA080U
100A, 3 pole	1	9820	▶ HHA100U
125A, 3 pole	1	11969	▶ HHA125U
160A, 3 pole	1	14732	▶ HHA160U

Description	Pack Qty.	Unit MRP (₹)	Cat. Ref.
40A, 4 pole	1	13271	HHA041U
63A, 4 pole	1	13271	▶ HHA064U
80A, 4 pole	1	13271	HHA081U
100A, 4 pole	1	13271	▶ HHA101U
125A, 4 pole	1	15613	▶ HHA126U
160A, 4 pole	1	19096	▶ HHA161U



HHA161U

**X160 frame MCCB**  
**overload adjustable 0.63-0.8-1 x In**  
**short circuit fixed**  
 breaking  
 capacity Icu :  
 40kA

Description	Pack Qty.	Unit MRP (₹)	Cat. Ref.
40A, 3 pole	1	12147	HNA040U
63A, 3 pole	1	12147	HNA063U
80A, 3 pole	1	12147	HNA080U
100A, 3 pole	1	12147	▶ HNA100U
125A, 3 pole	1	14560	▶ HNA125U
160A, 3 pole	1	18214	▶ HNA160U

Description	Pack Qty.	Unit MRP (₹)	Cat. Ref.
40A, 4 pole	1	16136	HNA041U
63A, 4 pole	1	16136	HNA064U
80A, 4 pole	1	16136	HNA081U
100A, 4 pole	1	16136	▶ HNA101U
125A, 4 pole	1	17501	▶ HNA126U
160A, 4 pole	1	20832	▶ HNA161U



HNA126U

# MCCBS

## Thermal Magnetic Release



**X250 frame MCCB**  
**fixed overload,**  
**fixed short circuit**  
 Icu : 25kA

Description	Pack Qty.	Unit MRP (₹)	Cat. Ref.
200A, 3 pole	1	17781	▶ <b>HNB200Z</b>
250A, 3 pole	1	22209	▶ <b>HNB250Z</b>
200A, 4 pole	1	18489	▶ <b>HNB201Z</b>
250A, 4 pole	1	24142	▶ <b>HNB251Z</b>



HNB100U

**Over load adjustable 0.63-0.8-1 x In**  
**X250 frame MCCB**  
**short circuit adjustable**  
**6-8-10-13 x In (100-200A)**  
**5-7-9-11 x In (250A)**  
 Icu : 40kA

Description	Pack Qty.	Unit MRP (₹)	Cat. Ref.
100A, 3 pole	1	13538	<b>HNB100U</b>
125A, 3 pole	1	15094	<b>HNB125U</b>
160A, 3 pole	1	19964	▶ <b>HNB160U</b>
200A, 3 pole	1	21188	▶ <b>HNB200U</b>
250A, 3 pole	1	28545	<b>HNB250U</b>
100A, 4 pole	1	17348	<b>HNB101U</b>
125A, 4 pole	1	18223	<b>HNB126U</b>
160A, 4 pole	1	22974	▶ <b>HNB161U</b>
200A, 4 pole	1	30708	▶ <b>HNB201U</b>
250A, 4 pole	1	34350	<b>HNB251U</b>

**MCCBs Accessories**

X160 Frame MCCB

Description	Pack Qty.	Unit MRP (₹)	Cat. Ref.
Auxiliary Contact	1	1547	▶ <b>HXA021H</b>
Alarm Contact	1	1577	▶ <b>HXA024H</b>
Shunt 24V DC	1	3255	<b>HXA001H</b>
Shunt 230V AC	1	3255	<b>HXA004H</b>
UnderVoltage - 240V AC	1	3923	▶ <b>HXA014H</b>
UnderVoltage - 415V AC	1	3923	<b>HXA015H</b>
Direct Rotary Handle	1	1971	▶ <b>HXA030H</b>
Extended Rotary Handle	1	2770	▶ <b>HXA031H</b>
Spreaders - 3P	1	757	▶ <b>HYA014H</b>
Speaders - 4P	1	1017	▶ <b>HYA015H</b>
Phase barriers - 3P / 4P	1	285	<b>HYB019H</b>
DIN Rail Adaptor	1	559	<b>HYA033H</b>



HXA021H

x250 Frame MCCB

Description	Pack Qty.	Unit MRP (₹)	Cat. Ref.
Auxiliary Contact	1	1547	▶ <b>HXA021H</b>
Alarm Contact	1	1577	▶ <b>HXA024H</b>
Shunt 24V DC	1	3255	<b>HXA001H</b>
Shunt 230V AC	1	3255	<b>HXA004H</b>
UnderVoltage - 240V AC	1	3923	<b>HXA014H</b>
UnderVoltage - 415V AC	1	3923	▶ <b>HXA015H</b>
Direct Rotary Handle	1	2074	<b>HXB030H</b>
Extended Rotary Handle	1	3090	▶ <b>HXB031H</b>
Motor Operator 240VAC	1	31857	▶ <b>HXB042H</b>
Spreaders - 3P	1	867	<b>HYB011H</b>
Speaders - 4P	1	1180	▶ <b>HYB012H</b>
Phase barriers - 3P / 4P	1	285	▶ <b>HYB019H</b>



HXA014H

**Electromechanical time switches**

**Characteristics:**

- Standard: IEC 60730
- Programming by captive segments
- Battery reserve of 200 hrs.
- Manual over ride function
- Sealing of cover to avoid unwanted modifications

Description	Pack Qty.	Unit MRP (₹)	Cat. Ref.
Quartz 1 channel 1 daily dial 1 module	1	3485	<b>EHN011</b>
Quartz 1 channel 1 daily dial 3 modules	1	3402	<b>EHN111</b>
Quartz 1 channel 1 daily dial	1	* price on request	<b>EH711</b>
Quartz 1 channel weekly dial	1		<b>EH771</b>



EH711

**Movement and presence detectors-ceiling and surface mounted**

**Characteristics:**

- To automatically switch on-off loads based upon human presence
- Movement and presence detectors**  
Inbuilt ambient light sensor with adjustable lux level 5 to 1000 lux adjustable time delay upto 30 mins

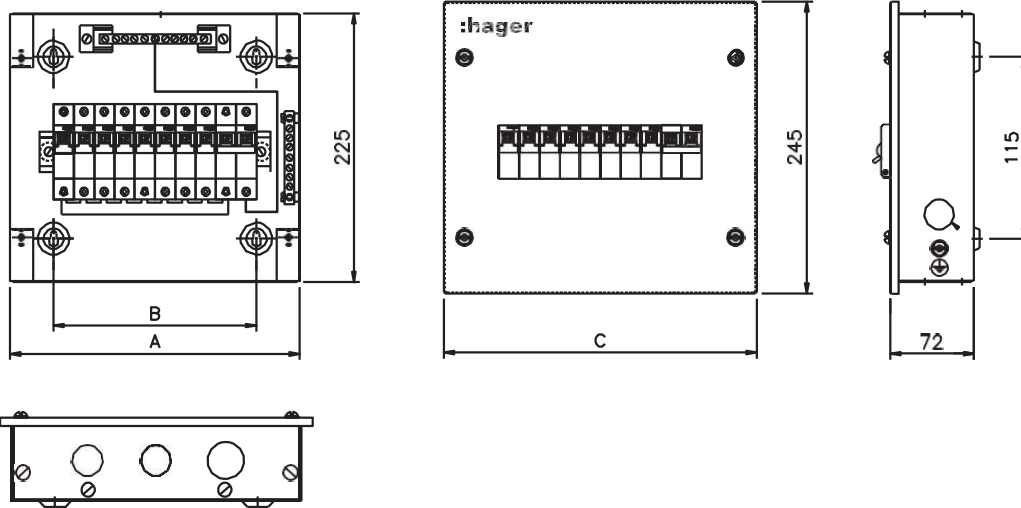
**Movement detectors**

Description	Pack Qty.	Unit MRP (₹)	Cat. Ref.
Single lens, 360 deg., 6m dia detection 10A AC 1, 1 channel, surface mounted	1	5070	<b>EE804A</b>
Single lens, 360 deg., 6m dia detection 10A AC 1, 1 channel, flush mounted	1	5070	<b>EE805A</b>



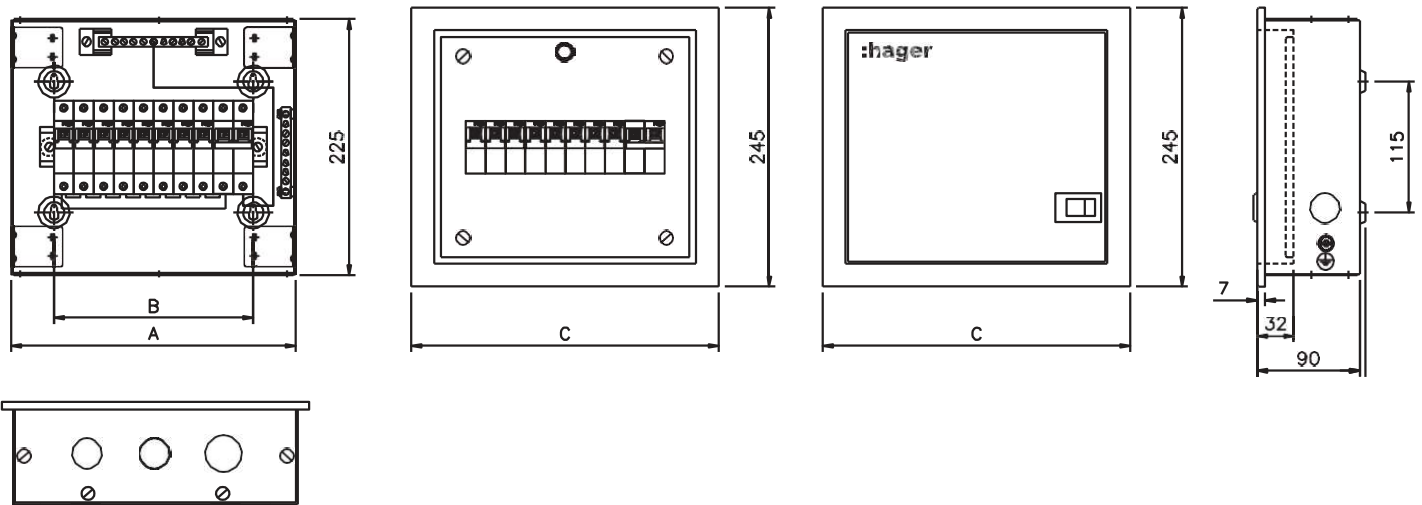
EE804A

Single Door



WAY	CODE	A	B	C	Ø32,K'OUT	Ø26,K'OUT	SIDE K'OUT	
					TOP & BOTTOM	TOP & BOTTOM	LH	RH
4	Y81041	140	65	160	1 NO	1 NO	1 NO	1 NO
6	Y81061	175	100	195	1 NO	1 NO	1 NO	1 NO
8	Y81081	210	135	230	1 NO	2 NOS	1 NO	1 NO
12	Y81121	285	210	305	1 NO	3 NOS	1 NO	1 NO
16	Y81161	365	290	385	1 NO	4 NOS	1 NO	1 NO

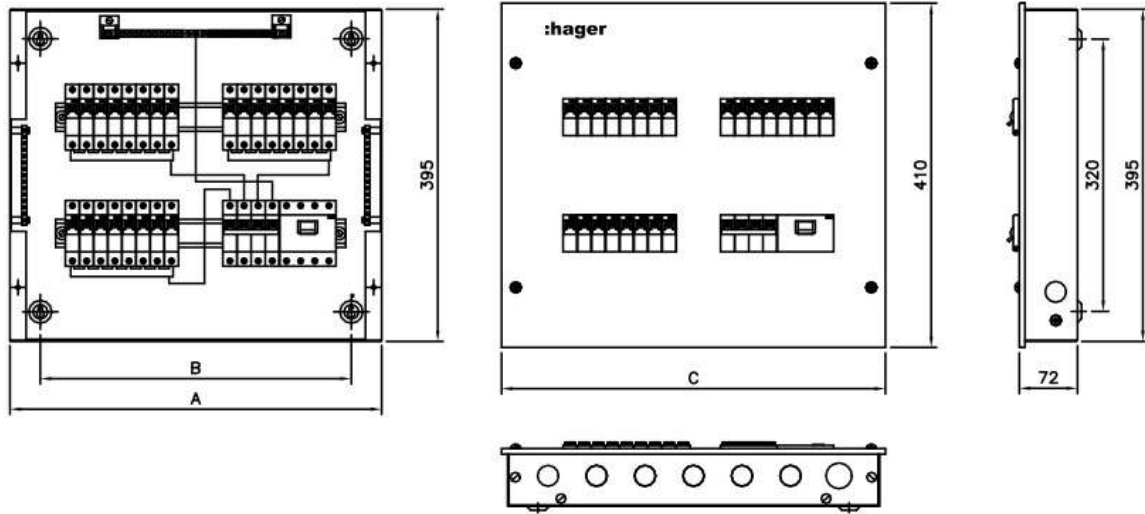
Double Door



WAY	DB CODE	A	B	C	Ø32,K'OUT	Ø26,K'OUT	SIDE K'OUT	
					TOP & BOTTOM	TOP & BOTTOM	LH	RH
4	Y81042	140	65	160	1 NO	1 NO	1 NO	1 NO
6	Y81062	175	100	195	1 NO	1 NO	1 NO	1 NO
8	Y81082	210	135	230	1 NO	2 NOS	1 NO	1 NO
12	Y81122	285	210	305	1 NO	3 NOS	1 NO	1 NO
16	Y81162	365	290	385	1 NO	4 NOS	1 NO	1 NO

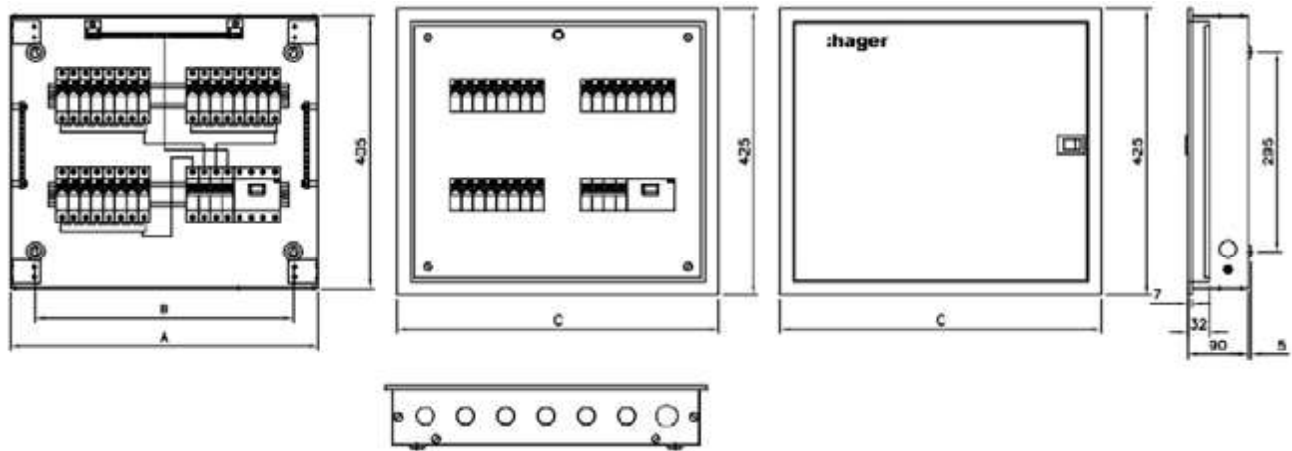


Single Door

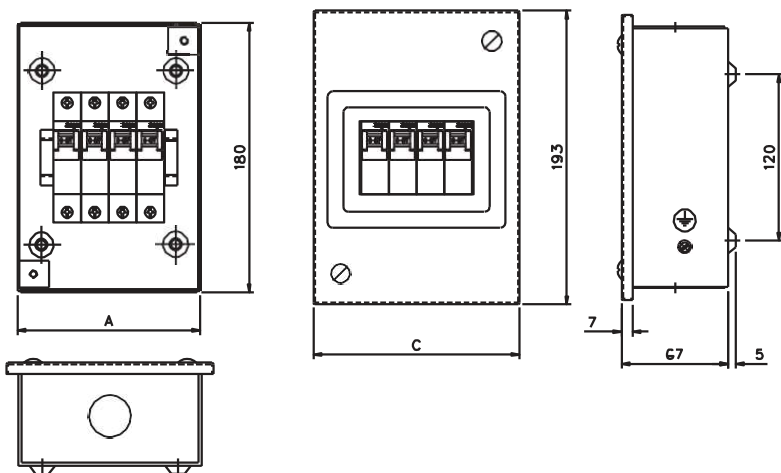


WAY	DB CODE	A	B	C	TOP & BOTTOM	TOP & BOTTOM	LH	RH
4	Y82041	330	255	350	1 NO	4 NOS	1 NO	1 NO
6	Y82061	365	290	385	1 NO	4 NOS	1 NO	1 NO
8	Y82081	460	385	480	1 NO	6 NOS	1 NO	1 NO
12	Y82121	600	525	620	1 NO	8 NOS	1 NO	1 NO

Double Door

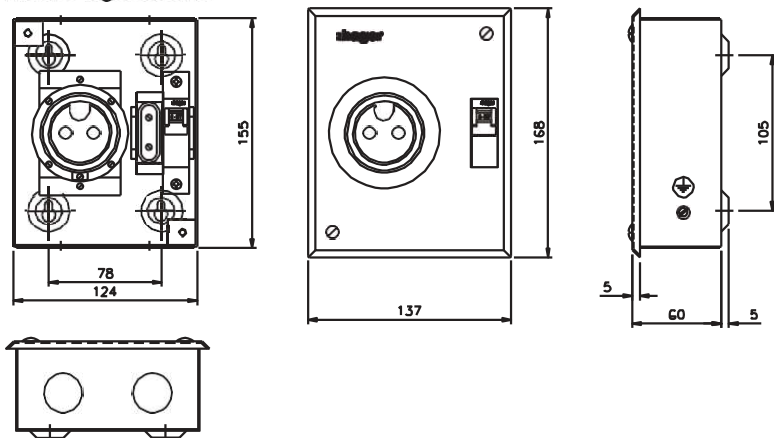


WAY	DB CODE	A	B	C	ø32,K'OUT		ø26,K'OUT		SIDE K'OUT	
					TOP & BOTTOM	TOP & BOTTOM	LH	RH		
4	Y82043	280	205	300	1 NO	4 NOS	1 NO	1 NO		
4	Y82042	330	255	350	1 NO	4 NOS	1 NO	1 NO		
6	Y82062	365	290	385	1 NO	4 NOS	1 NO	1 NO		
8	Y82082	460	385	480	1 NO	6 NOS	1 NO	1 NO		
12	Y82122	600	525	620	1 NO	8 NOS	1 NO	1 NO		

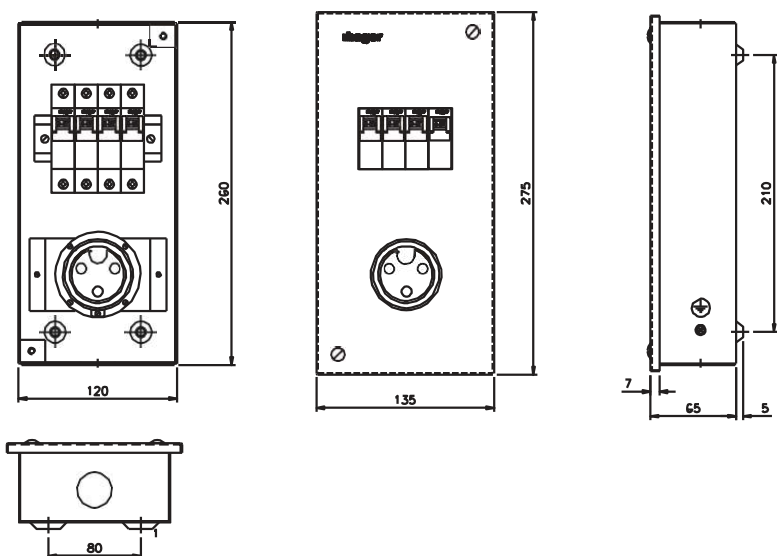


CODE	DB CODE	A	B	C
2 WAY	Y83021	85	45	100
4 WAY	Y83041	120	80	135

Metal Plug & Socket



DB CODE
Y84110/Y84120



DB CODE
Y84420/Y84432

S.No.	Items	Load/Wattage	MCB rating
1	Fan	60W	*
2	Lamp, Tubelight	40W	*
3	Room Heater	200W	1 A
4	Water Heater 8 ltrs 15 ltrs 60 ltrs	1200-2000W 3000-4000W 4000-6000W	10 A 20 A 32 A
5	Immersion Heater	1000W	6 A
6	Hot Plate-single	1000W	6 A
7	Iron- Nonautomatic Automatic	500W 1000W	3 A 6 A
8	Mixer / Juicer	300W	2 A
9	TV / VCR / VCP	200W	1 A
10	Music system	200W	1 A
11	Refrigerator 165 ltrs 285 ltrs 350 ltrs	400W 600W 750W	3 A 4 A 6 A
12	Toaster	500W	3 A
13	Vacuum Cleaner	400W	3 A
14	Washing Machine without heater with heater	300-1300W 5000-6300W	10 A 32 A
15	Water Cooler	700W	6 A
16	Desert Cooler	300W	2 A
17	Oven	750W	6 A
18	Electric Kettle	1500W	7.5 A
19	Air Conditioner 1 ton 1.5 ton 2 ton	1000W 1500W 2000W	10 A 16 A 16 A
20	Hair Dryer	1000W	7.5 A
21	Microwave	800W	6 A

**Formula for Calculations :**

Incomer Rating :      Single Phase =  $\frac{\text{Total Load in Watts}}{230 \text{ volts} \times \cos \phi}$

Three Phase =  $\frac{\text{Total Load in Watts}}{\sqrt{3} \times 415 \text{ volts} \times \cos \phi}$

\* The given data is only for guidance and may vary for different manufacturers.

Cable Size	Conduit Size and Gauge			
	16mm or 5/8"	20mm or 3/4"	25mm or 1"	32mm or 1¼"
Nominal Conductor Size mm <sup>2</sup>	Number of Cables (maximum)			
1.0	6	7	19	30
1.5	5	5	15	24
2.5	3	4	11	17
4	2	3	8	13
6	2	2	6	10
10	-	-	4	6
16	-	-	3	4
25	-	-	2	3
35	-	-	-	2
50	-	-	-	-

\* The given data is only for guidance and may vary for different manufacturers.

**Cable selection chart**

Single core cable (Flexible) voltage grade 1100 V, conforming to IS : 694-1990

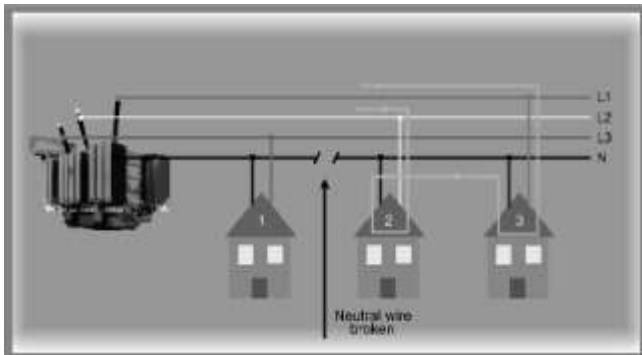
Nominal area of conductor	Current carrying capacity as per IS:3961	Max. Resistance per km. at 20°C
Sq. mm.	Amp.	Ohms
1.0	11	19.50
1.5	14	13.30
2.5	19	7.98
4.0	26	4.95
6.0	31	3.30
10	42	1.91
16	57	1.21
25	71	0.78

\* The given data is only for guidance and may vary for different manufacturers.

Permanent over voltage is a common problem faced by users due to external or internal factors. Over voltage is caused due to following:

- Over voltage from electricity board
- Loss of neutral or loose neutral wire termination
- Wrong Connection like Interchange of P & N conductors in RYBN wire
- Harmonics

Hager MZ209 continuously monitors the voltage between phase and neutral conductors. As the voltage increases beyond 267VAC (240VAC + 10%), MZ209 immediately disconnects the power supply through the connected MCB thus avoiding the damage to the equipments. This ensures safety both in case of presence and absence of people at home.



Phase - Phase voltage during loss of neutral



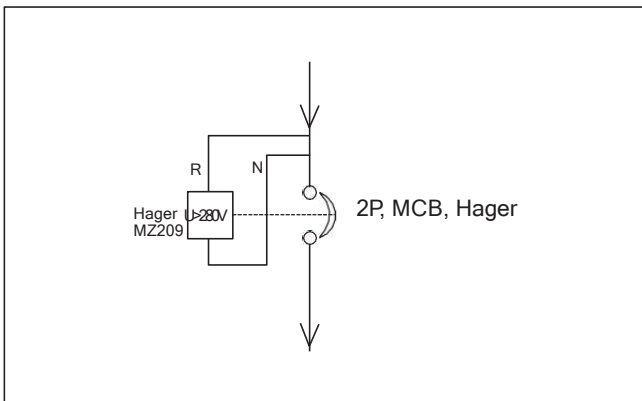
Safety to human and expensive electronic equipments

**Connections:**

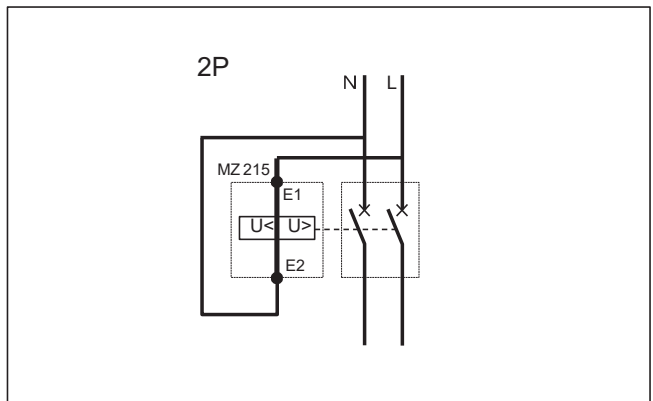
MZ209 is mechanical connected with mcb and does not need any tool for coupling with the MCB. Electrical connections are made with small size wire of 1sqmm from Phase and Neutral conductors in parallel. Phase and Neutral can be connected to either side of MZ209 and only one number per phase is required for protection against over voltage problems.

**Connections:**

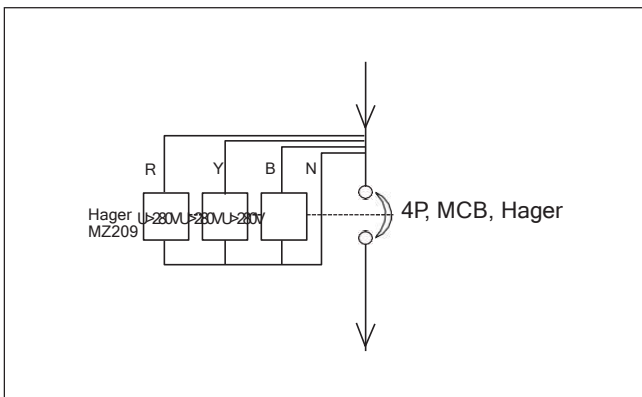
MZ215 is the ideal solution to protect equipments from over and low voltage problems. Unique modular design and simple wiring makes it convenient to mount in standard enclosures with Hager MCB, RCCB or RCBO. MZ215 continuously monitors voltage between Phase and Neutral to disconnect when voltage is high or low.



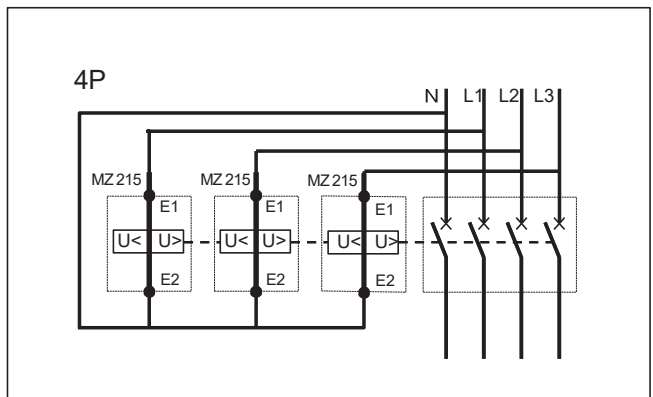
Single Phase connections



Single Phase connections



Three Phase connections



Three Phase connections

# Get in Touch with Us

---

## Contact Us:

**Mr. Laxmikant Laddha:** 09822332340

**Giriraj Laddha:** 09881245431

**Rahul Laddha:** 09881245432

 [sales@rajelectricals.co.in](mailto:sales@rajelectricals.co.in)

 <https://rajelectricals.co.in/>



## Lighting Store:

583, Narayan Peth, Jaldhara Society,  
Near Kanyashala, Pune-411030

**Phone:** (020) 24455293, 24461156,  
24481583, 24486306, 24492424



## Electrical Store:

353/2, Shaniwar Peth, Ramanbaug  
Co-operative Hsg Society, Near  
Ramanbaug School, Pune-411030.

**Phone:** 098812 45432



[rajelectricalspune](https://www.facebook.com/rajelectricalspune)



[raj\\_\\_electricals](https://www.instagram.com/raj__electricals)